

1730 5:4 PCAP

Industrial touch all-in-one



Features:

- + Zero bezel frame + Aluminum type material Shell
- + Front panel meets IP65 standard, dust/waterproof
- + Industrial grade LCD screen, LED backlight
- + Resolution 1280X1024@60Hz
- + 10-point projection capacitive touchscreen
- + Cover plate waterproof and anti-riot treatment
- + Fanless Low power consumption motherboard
- + Intel Celeron®J1900 high-performance processor
- + 2* Intel 211AT gigabit network
- + 9-27V wide voltage power supply
- + Support 7X24 hours operation
- + Support OS: windows10/Linux/Ubuntu
- + 3-years warranty

Optional:

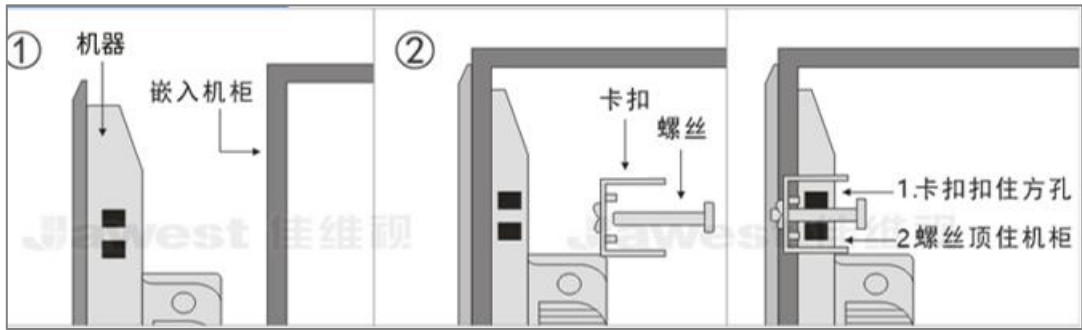
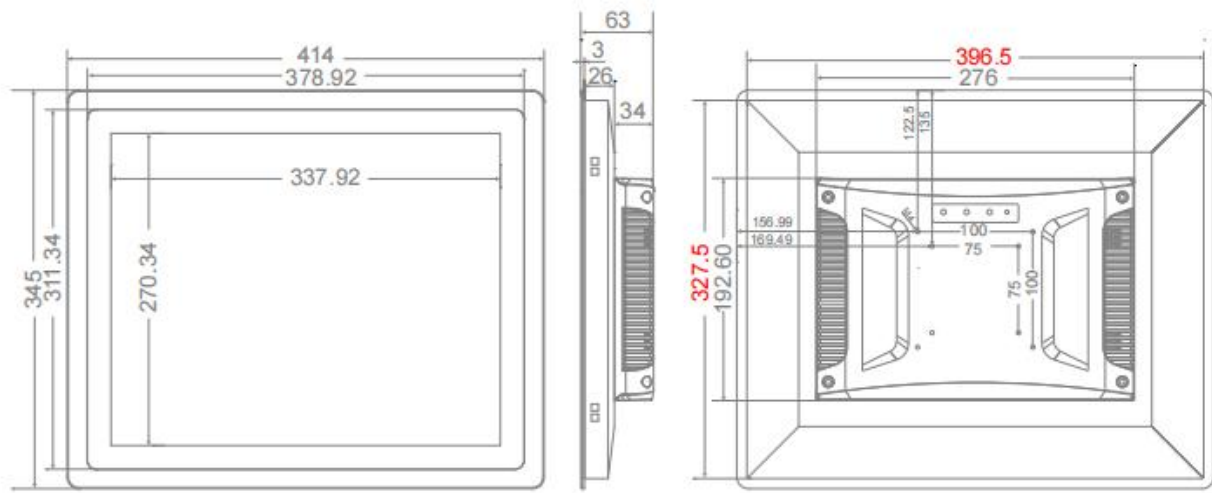
- No Touch
- AG Coating
- I5 processor
- Touchscreen Monitor



TDS1730 Industrial touch all-in-one Specification

| | |
|-------------------------|---|
| Model | 1730 |
| Color | Black\Silver |
| Diagonal | 17" |
| Aspect Ratio | 5:4 |
| Active Area | 337.9X270.3(mm) |
| Dimensions | 414X345X63(mm) |
| Structural opening size | 396.5X327.5(mm) |
| Native Resolution | 1280X1024@60Hz |
| Number of Colors | 16.7M |
| Viewing Angle | Horizontal: 85° /85°; Vertical: 80° /80° |
| Aspect Ratio | 1000:1 |
| Brightness | LED: 350nits, Touch:315nits |
| LED Response | 5ms |
| Touch technology | Projected capacitive touch screen -10 points |
| Touch the accuracy | ≥2mm |
| Touch Interface | USB2.0 |
| Processor | Intel®Celeron J1900 2.0ghz, quad-core, TDP 10W (2M cache, up to 2.42GHz) |
| chipset | BayTrail |
| Graphics | Intel®HD Graphics |
| Memory | DDR3L 4GB, maximum support 8G |
| Storage | SSD 64GB |
| Network | 2XLAN RJ45 (Gigabit) |
| WLAN | 2.4GHz,Wi-Fi support802.11 a / b / g / n / ac deal |
| Bluetooth | 4.0 |
| Speaker | 2X2W(built-in) |
| Input voltage | AC : 100-240 VAC, 50-60 Hz |
| I/O Interface | 2*USB2.0, 2*USB3.0, 2*RS232, 2*RJ-45, 1*DC 1* audio circuit output, 1* audio microphone input, 1*HDMI, 1*VGA |
| BIOS | AMI UEFI BIOS |
| Watchdog | Supports hardware reset (level 256, 0-255 seconds) |
| Power on | Support |
| Temperature | Operating: -10°C-50°C; Storage: -20°C-70°C |
| Humidity | Operating: 20%-70%; Storage: 10%-80% |
| Protection grade | The front panel IP65 is dustproof and waterproof |
| Drop Ball Test | The 1kg ball does not broken when it falls from 1.2 meters |
| MTBF | 50000 hours |
| Shipping | 520X400X135(mm) |
| VESA Mounting | VESA hole fixed hole two groups): 75mm&100mm Set of fixed hole positions of left and right-side snap-type: 362mm*262mm |
| Power Supply | DC:12V5A(5.5*2.5) |
| Support OS | Windows 7/Windows 10/Linux (The product comes with no OS) |
| What's in the Box | 1*Power cable/1*Power Adapter/4*Embedded buckle |
| Agency Approvals | FCC; CE; ROHS |

TDS1730-PCAP



Dimensions are in millimeters

