

# 1030C 16:10 PCAP

Industrial touch all-in-one



## Features:

- + Zero bezel frame + Aluminum type material Shell
- + Front panel meets IP65 standard, dust/waterproof
- + Industrial grade LCD screen, LED backlight
- + Resolution 1280X800@60Hz
- + 10-point projection capacitive touchscreen
- + Cover plate waterproof and anti-riot treatment
- + Fanless Low power consumption motherboard
- + Intel Celeron®J1900 high-performance processor
- + 2\* Intel 211AT gigabit network
- + 9-27V wide voltage power supply
- + Support 7X24 hours operation
- + Support OS: windows10/Linux/Ubuntu
- + 2-years warranty

## Optional:

- No Touch
- AG Coating
- I5 processor
- Touchscreen Monitor



上挡板

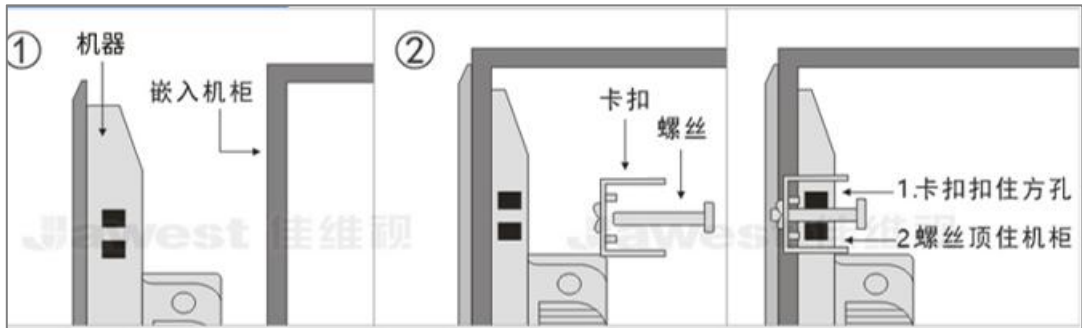
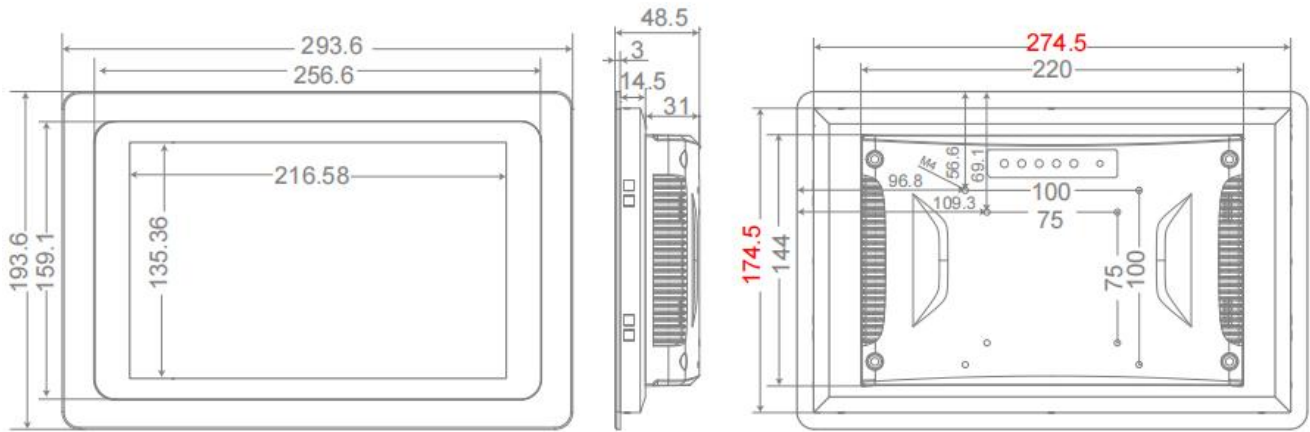


下挡板



| TDS1030C Industrial touch all-in-one Specification |                                                                                                                           |
|----------------------------------------------------|---------------------------------------------------------------------------------------------------------------------------|
| Model                                              | 1030C                                                                                                                     |
| Color                                              | Black\Silver                                                                                                              |
| Diagonal                                           | 10.1”                                                                                                                     |
| Aspect Ratio                                       | 16:10                                                                                                                     |
| Active Area                                        | 216.58X135.36(mm)                                                                                                         |
| Dimensions                                         | 293.6X193.6X48.5(mm)                                                                                                      |
| Structural opening size                            | 274.5X174.5(mm)                                                                                                           |
| Native Resolution                                  | 1280X800@60Hz                                                                                                             |
| Number of Colors                                   | 16.7M                                                                                                                     |
| Viewing Angle                                      | Horizontal: 85° /85°; Vertical: 85° /85°                                                                                  |
| Aspect Ratio                                       | 800:1                                                                                                                     |
| Brightness                                         | LED: 300nits, Touch:275nits                                                                                               |
| LED Response                                       | 30ms                                                                                                                      |
| Touch technology                                   | Projected capacitive touch screen -10 points                                                                              |
| Touch the accuracy                                 | ≥2mm                                                                                                                      |
| Touch Interface                                    | USB2.0                                                                                                                    |
| Processor                                          | Intel®Celeron J1900 2.0ghz, quad-core, TDP 10W<br>(2M cache, up to 2.42GHz)                                               |
| chipset                                            | BayTrail                                                                                                                  |
| Graphics                                           | Intel®HD Graphics                                                                                                         |
| Memory                                             | DDR3L 4GB, maximum support 8G                                                                                             |
| Storage                                            | SSD 64GB                                                                                                                  |
| Network                                            | 2XLAN RJ45 (Gigabit)                                                                                                      |
| WLAN                                               | 2.4GHz,Wi-Fi support802.11 a / b / g / n / ac deal                                                                        |
| Bluetooth                                          | 4.0                                                                                                                       |
| Speaker                                            | 2X2W(built-in)                                                                                                            |
| Input voltage                                      | AC : 100-240 VAC, 50-60 Hz                                                                                                |
| I/O Interface                                      | 2*USB2.0, 2*USB3.0, 2*RS232, 2*RJ-45, 1*DC<br>1* audio circuit output, 1* audio microphone input, 1*HDMI, 1*VGA           |
| BIOS                                               | AMI UEFI BIOS                                                                                                             |
| Watchdog                                           | Supports hardware reset (level 256, 0-255 seconds)                                                                        |
| Power on                                           | Support                                                                                                                   |
| Temperature                                        | Operating: -10°C-50°C; Storage: -20°C-60°C                                                                                |
| Humidity                                           | Operating: 20%-70%; Storage: 10%-80%                                                                                      |
| Protection grade                                   | The front panel IP65 is dustproof and waterproof                                                                          |
| Drop Ball Test                                     | The 1kg ball does not broken when it falls from 0.5 meters                                                                |
| MTBF                                               | 30000 hours                                                                                                               |
| Shipping                                           | 320X280X145(mm)                                                                                                           |
| VESA Mounting                                      | VESA hole fixed hole two groups): 75mm&100mm<br>Set of fixed hole positions of left and right-side snap-type: 362mm*262mm |
| Power Supply                                       | DC:12V5A(5.5*2.5)                                                                                                         |
| Support OS                                         | Windows 7/Windows 10/Linux (The product comes with no OS)                                                                 |
| What's in the Box                                  | 1*Power cable/1*Power Adapter/4*Embedded buckle                                                                           |
| Agency Approvals                                   | FCC; CE; ROHS                                                                                                             |

TDS1030C-PCAP



Dimensions are in millimeters

