

# 1701 5:4 PCAP

## Desktop Touchscreen Monitor



### Feature:

- + ABS + PC Plastic shell
- + Front frame against dust and liquids
- + Industrial grade LCD, LED backlight
- + Resolution 1280X1024@60Hz
- + 10 point projection capacitive touchscreen
- + Cover plate anti riot and anti fingerprint
- + 5-wire resistance touchscreen optional
- + Video interface: VGA + HDMI
- + Stable base with adjustable angle
- + Back VESA mounting option
- + Support OS: Windows/Android/Linux
- + 3-Years warranty



### Optional:

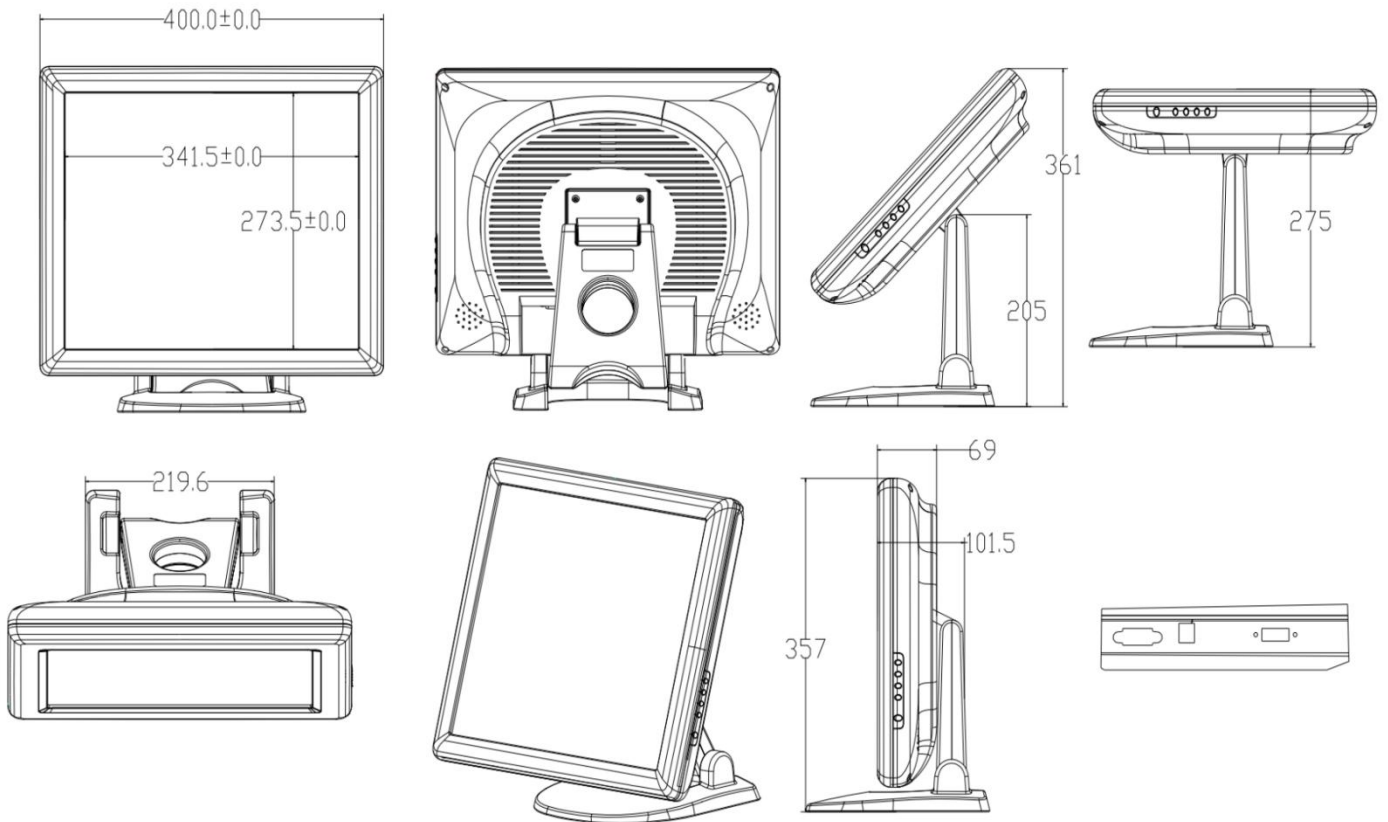
- No Touch
- Privacy filter
- Touch interface: Dual serial/USB
- Video interface: Display Port
- ALL-IN-ONE(Windows/Android)



## TDS1701 Desktop Touchscreen Monitor Specification

Model	1701
Color	Black
Diagonal	17"
Aspect Ratio	5:4
Active Area	338X270(mm)
Dimensions	400X330X69(mm)
Resolution	1280X1024@60Hz
Viewing Angle	Horizontal: 85°/85°, Vertical: 80° /80°
Number of Colors	16.7M
Brightness (typical)	LCD Panel: 250 nits, PCAP: 235 nits
Response Time	5ms
Contrast Ratio	1000:1
Touch Technology	PCAP Touchscreen -10 Touch
Input method	Finger, Capacitance pen(Standard) Latex gloves touch (pre commissioning required)
Transmittance	≥90%
Surface hardness	7H(Mohs)
Touch Interface	USB2.0
Video Interface	VGA+HDMI
Speakers	TwoX2W internal speakers
Input Voltage	AC:100-240 VAC, 50/60 Hz
Sealability	Touchscreen sealed to bezel
Drop Test	1kg steel ball falls from 1.2m without breaking
Weight (Unpackage)	6KG
Shipping Dimensions	570X400X45(mm)
Operating Temperature	0°C to 40°C
Storage Temperature	-20°C to 60°C
Humidity	Operating: 20% to 70%; Storage: 10% to 80%
MTBF	50,000 hours demonstrated
Mounting Options	VESA:75X75(mm)
Base	Adjustable Angle 0-90 degrees(optional)
Power Supply	DC:12V3A
Warranty	3-years
Agency Approvals	FCC, CE, ROHS
Support OS	Windows/Linux\Android
What's in the Box	1*USB cable,1*VGA cable,1*DC cable

TDS1701-PCAP



Dimensions are in millimeters

